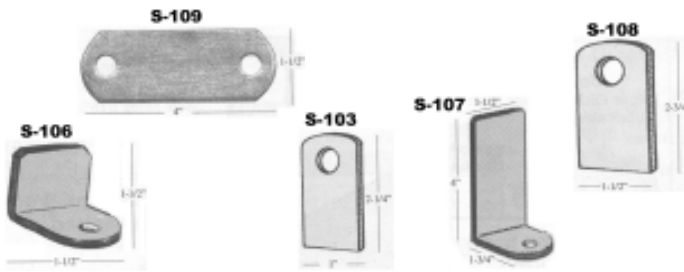


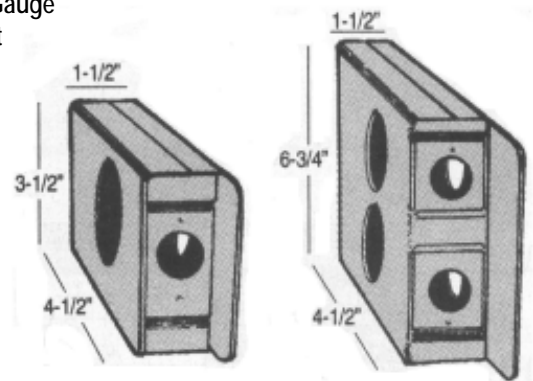
Steel Weld Tabs & Brackets with 3/8" Holes



HEIGHT	DEPTH	WIDTH	THICK-NESS	STYLE	ITEM #	PRICE
2-1/4"	-----	1"	10 Ga.	Long Tab	S-103	.36
1-1/2"	1-1/2"	1-1/2"	8 Ga.	Angle Bracket	S-106	.72
4"	1-3/4"	1-1/2"	8 Ga.	Wide Angle Bracket	S-107	1.05
2-3/4"	-----	1-1/2"	8 Ga.	Extra Large Tab	S-108	.73
4"	-----	1-1/2"	3/16"	Long Base Plate	S-109	.99

Steel Lock Boxes

- Economy 15 Gauge
- 2-3/8" Backset
- 3-1/8" Hole
- 1-1/2" Wide



HEIGHT	WIDTH	DEPTH	STYLE	ITEM #	PRICE
4-1/2"	3-1/2"	1-1/2"	Single Hole	JSLH102STD	\$5.12
4-1/2"	6-3/4"	1-1/2"	Double Hole	JSLH103STD	8.38

Pressed Steel Post Caps

These caps fit over square tubing.



TUBE SIZE	ITEM #	PRICE
5/8" x 5/8"	SPC-58	.50¢
3/4" x 3/4"	SPC-34	.53
1" x 1"	SPC-1	.53
1-1/4" x 1-1/4"	SPC-114	.65
1-1/2" x 1-1/2"	SPC-112	.68
2" x 2"	SPC-2	1.02
2-1/2" x 2-1/2"	SPC-212	1.82
3" x 3"	SPC-3	2.33
4" x 4"	SPC-4	3.23
5" x 5"	SPC-5	13.12
6" x 6"	SPC-6	14.88

6" Rubber Guide Rollers

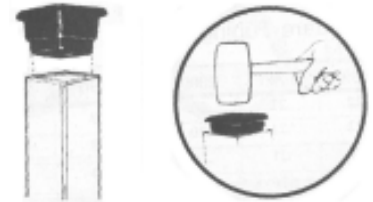
- Rollers include axle, bearings, nuts, and bracket (1-3/8" x 9 Ga.)
- Height 6" x 2-1/2" Dia.
- Total offset 2-7/8"



GR6KT
\$13.65

Plastic Tubing Plugs

All plugs are made from high quality ABS black plastic, not from polyethylene which will deteriorate.



TUBE SIZE	ITEM #	PRICE
1/2" x 1/2" x .063"	PTP-1	.25¢
5/8" x 5/8" x .063"	PTP-2	.27
3/4" x 3/4" x .063"	PTP-3	.27
1" x 1" x .063"	PTP-4	.29
1-1/4" x 1-1/4" x .063"	PTP-5	.39
1-1/2" x 1-1/2" x .063"	PTP-6	.51
1-1/2" x 1-1/2" x .120"	PTP-13	.52
2" x 2" x .063"	PTP-7	.61
2" x 2" x .120"	PTP-12	.67
3/4" x 1-1/2" x .063"	PTP-8	.53
1" x 1-1/2" x .063"	PTP-9	.57
1" x 2" x .063"	PTP-10	.49

Cast Iron Spear Points

Fits over 1/2" or 3/4" square tube or solid

1/2"
215-12
.72¢



3/4"
215-34
.85¢

- 4-1/4" Height
- 2" Wide

1/2"
260-12
\$1.12



3/4"
260-34
\$1.25

- 4-1/4" Height
- 2-3/8" Wide

4" Cast Iron V-Groove Wheel with Box

WHEEL

- 4" Height
- 1-1/2" Wide
- 2" Hub Width
- Grease Fitting
- Rated 800 lbs.

BOX

- 3-1/8" Height
- 4-7/8" Width
- 2-1/4" Depth



VGRSLSET
\$35.20

Weld-On Disks

For pipe and 11 gauge tubing



1" Pipe
DISC-1
\$2.25

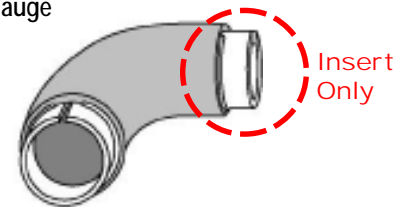
1-1/2" Pipe
DISC-112
\$2.62

1-1/4" Pipe
DISC-114
\$2.12

1-1/2" Tube
DISC-112T
\$2.25

Pipe & Tubing Connectors

Great for hands free welding. Leaves a 1/8" gap for penetrative welding. 11 gauge



1" Pipe	EC-1	\$2.62
1-1/4" Pipe	EC-114	\$2.00
1-1/2" Pipe	EC-112	\$2.00
1-1/2" Tube	EC-112T	\$2.00